



24D75-6 CLUTCH

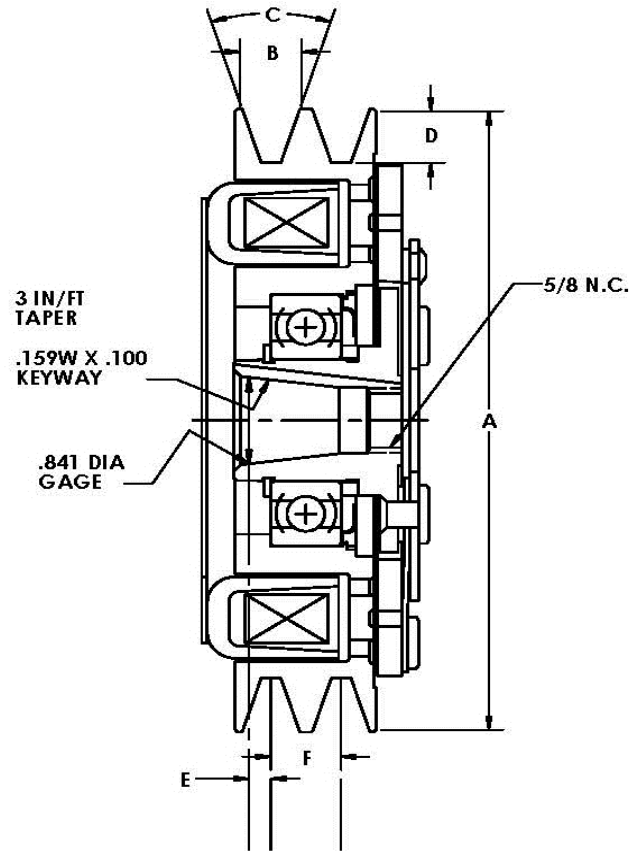
Hydraulic Pump Drive

12 or 24 Volt D.C. - Belt Driven

Power
48 Watts

Max RPM
5000

Weight
11 Lbs.



Static Rated Torque - 75 Lbs. Ft.

Type "A" Mount (Inboard)		Type "B" Mount (Outboard)		A	B	C	D	E Gage	F Spacing	No of Grooves
24V	12V	24V	12V							
Part No.	Part No.	Part No.	Part No.							
N/A	1105131	N/A	N/A	6.00	0.38	36°	0.44	0.192		1
N/A	1072381	1102041	1075311	6.00	0.50	36°	0.50	0.192	0.62	2
N/A	1116691	N/A	N/A	6.00	0.35	40°	0.36	0.192	0.41	3



"The Clutch People"

PITTS INDUSTRIES, LLC

P. O. Box 815968 • Dallas, Texas • 75381-5968 • (U.S.A.)

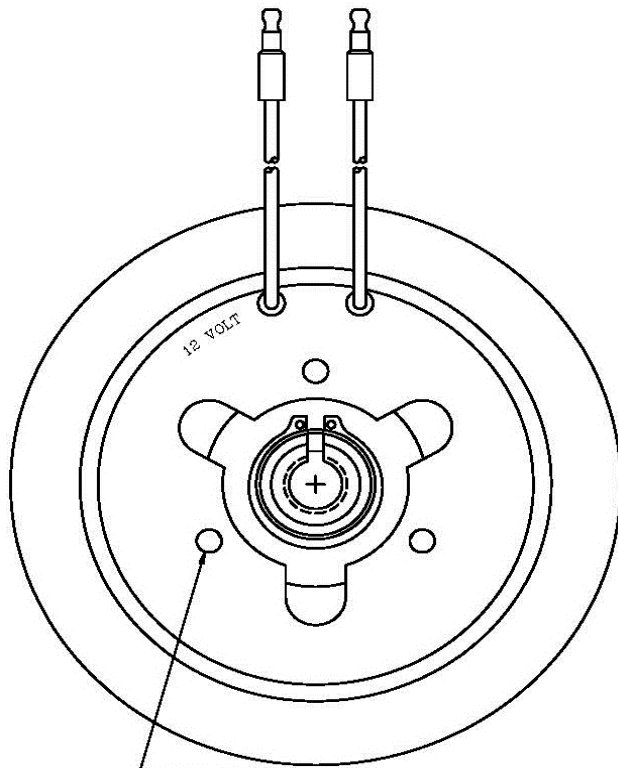
Telephone: (972) 247-2971 • FAX (972) 247-4516



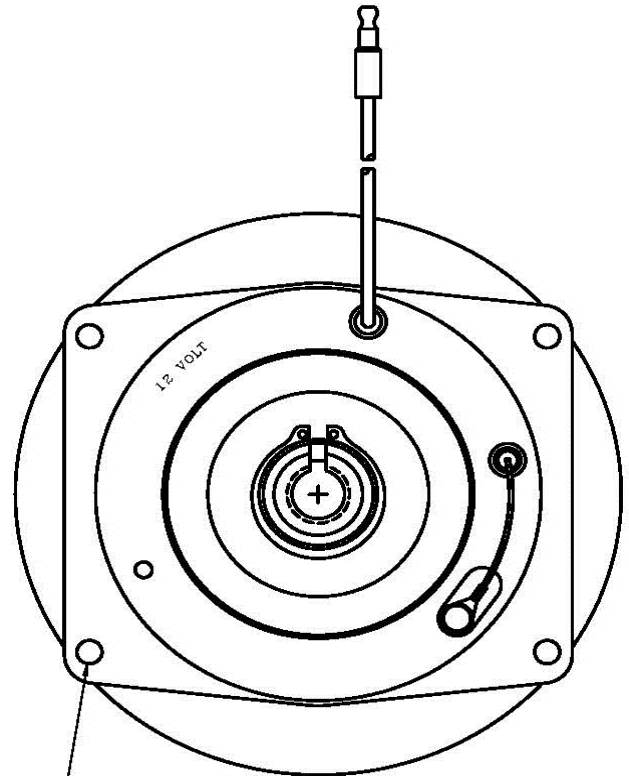
Made in the USA

24D75-6 CLUTCH

Mounting Dimensions



(INBOARD)
TYPE "A" MOUNT 3 HOLES .250 DIA
ON 2.437 DIA BOLT CIRCLE



(OUTBOARD)
TYPE "B" MOUNT 4 HOLES .250 DIA
ON 4.562 X 3.396 RECTANGULAR
PATTERN